

RELIABLE FASTER CONFIDENTIAL

>> Machines for Milling and Grinding >> Blow Moulds for PET Bottles
>> Roeders Pewter & Roeders ART

Subject to technical changes – 2212



Roeders Vietnam Co., Ltd.
Lot E10-2 and Lot E11-1
N7B Street Le Minh Xuan 3 Industrial Park
Le Minh Xuan Commune / Binh Chanh District
Ho Chi Minh City / Vietnam
Tel. +84 28 3765 6327, Fax +84 28 3765 6329
E-Mail mold@roeders.vn / www.roeders.vn/en

Blow Moulds for PET Bottles

YOUR PARTNER FOR BLOW MOULDS.

röders
TEC

YOUR PARTNER FOR BLOW MOULDS.

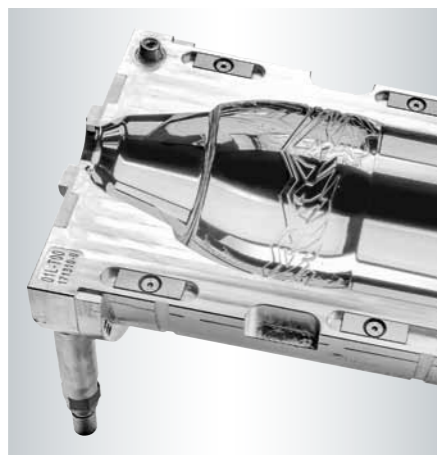
röders
TEC



WHY ROEDERS VIETNAM?

Extensive experience, reliability and confidentiality in the production of blow moulds or PET bottles

- > Our customers drastically reduce their energy consumption with the help of our self-developed low-pressure base mould design
- > Solutions for quick change, hotfill, refillable bottles, non-returnable bottles, large moulds or special constructions for all machine types are our competence
- > Regardless of whether bottles for soft drinks, beer, oils, juices, milk or other liquids are needed we can advise you
- > With state-of-the-art CAD systems and 3D printing we will quickly develop qualified proposals for your new bottle project
- > A large range of fast available format and spare parts ensures your production and independence
- > We produce with highest quality on our Roeders HSC machines and achieve extremely short delivery times
- > If required, Roeders Germany with 50 years experience in blow mould production will support with its certified Technical Centre for test blowing and laboratory examinations. Specialists for converting your blowing machine to new blow moulds and optimizing the parameters for best possible bottle quality are also available

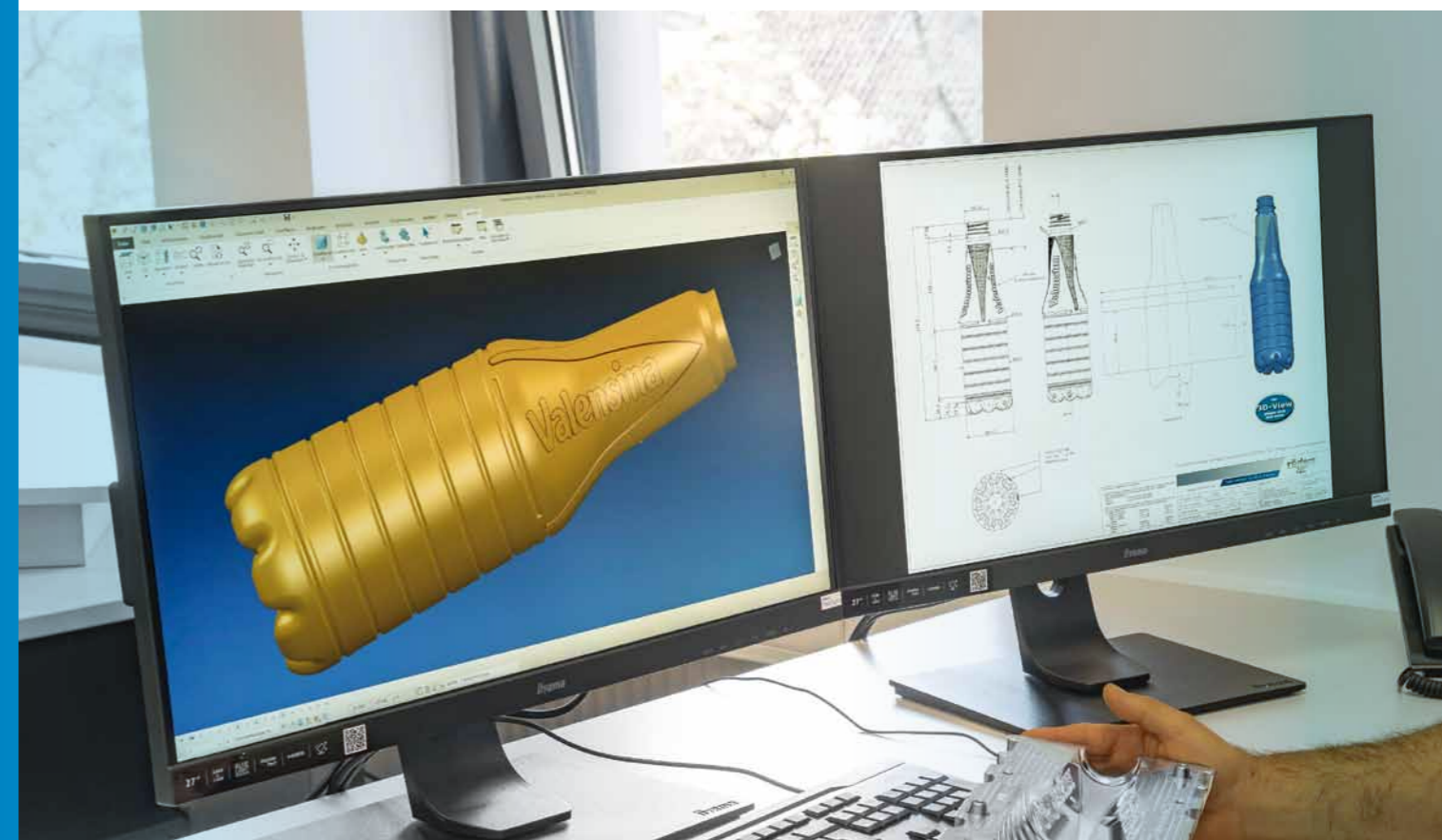


FAST DESIGN

Based on your sketches, logos, images or models, we use the latest CAD systems to create first drafts of your new PET bottle with high-quality 3D views and volume calculations.

Our many years of experience in terms of blowability of different designs are certainly considered. Of course, you can also expect design suggestions from us. Our independence and absolute discretion ensure your lead and market success.

If desired, models are produced from the 3D CAD constructions in shortest possible time.



ENGRAVINGS FOR DISTINCTIVE DESIGN

With the pictures presented here we can only show a very small portion of the various projects in which we have realized an individual bottle design for our customers with engravings. Those range from simple logos to full landscapes with palm trees, waterfalls, mountains and sun.

A wide variety of surface finishes in the blow moulds is possible. Using sample bottles that we have available, you can estimate how the different surface finishes will look on the bottles before you start a new project.

In order to give your engraving its best appearance, we advise on technical details such as radii, ventilation, etc.



MODELS OF BOTTLES



We can produce bottle models for you quickly and cost-effectively in two ways without having to make a sample mould for the blow moulding machine:

- > Cost-effective 3D printing directly from the CAD data
- > Machining transparent plexiglass models, also painted upon request



QUALITY CONTROL AT ROEDERS

Quality assurance is a continuous process in the Roeders blow mould production.

After each production step up to the assembly of the blow moulds, a standardized test is carried out in order to immediately identify and correct possible errors.

High-precision coordinate measuring machines from Zeiss are the backbone of the Roeders quality assurance. Leak tightness, mould parting lines, polishing quality, mould edges and other features relevant for the blow moulding process are comprehensively checked during assembly.



STANDARD BLOW MOULDS

Roeders Vietnam is relying on 50 years experience of Roeders Germany where there have reliably been produced several 100,000 blow moulds for non-returnable and refillable bottles, mostly with very short delivery times. Meanwhile renown Asian bottlers esteem the quality and performance of Roeders Vietnam as well.

We have been very familiar with the various machine types and generations of the leading manufacturers (KHS Corpoplast, Krones, Sidel, Sipa, etc.) for many years, down to the last detail. With coatings specially developed by us, we improve the durability of the standard blow moulds upon request.

If, in addition to the blow moulds, new format parts are required for bottle projects, e.g. due to a new preform design, we can supply those to you.

If necessary, our service from Germany supports you in converting your blow moulding machine and ensures an optimal blow moulding process at your site.



ENERGY SAVING BY DRASTICALLY REDUCING THE BLOWING PRESSURE

Many Roeders customers have been able to significantly reduce their energy consumption and thus their costs because they have replaced existing mould bases with the special "low-pressure base mould design" developed by Roeders.

This makes the PET bottle even more environmentally friendly. The Roeders low-pressure base mould design is made of a special bottle base geometry and a new ventilation concept that has been developed through many tests. Talk to our specialists. The investment in new base moulds pays for itself within a very short time.



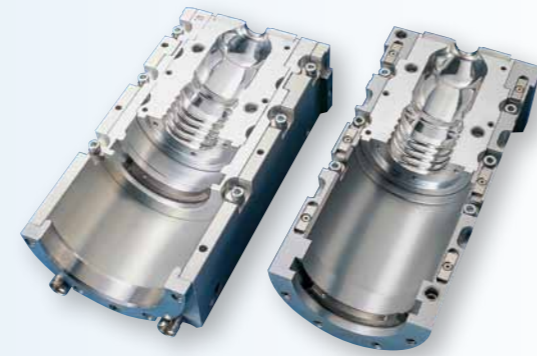
ROEDERS QUICK CHANGE

Roeders is pioneer in the development of quick change systems. In consequence, essential patents of the machine manufacturers are and were irrelevant for Roeders.

Our own, early-developed solutions have proven themselves over many years of bottle production with frequent mould changeovers at our customers.

When designing the Roeders solutions, great importance was given to possible blow mould changes between different machine types, also from different manufacturers, in some cases using a "multiple shell system". Our independence and our comprehensive know-how were a solid foundation for this.

With the very fast Rapid Mould Change System from Roeders the inserts are easily mounted in the mother mould, turned against a fixed stop and clamped in the mother mould with just one "twist". Demounting is achieved respectively easy as you may see in below pictures.



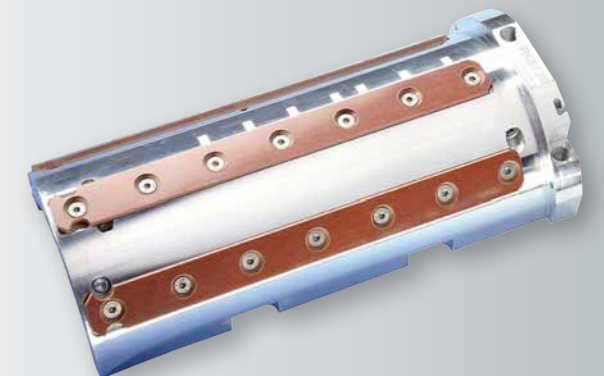
HOTFILL BLOW MOULDS

Roeders was involved in the development of hotfill blow moulds right from the start, sometimes in close cooperation with well-known bottlers.

Thanks to our own coatings with particularly hard and smooth surfaces, it has been possible to qualify aluminum moulds for the hotfill bottle production.

This has great advantages:

- > Lower blow mould manufacturing costs
- > Reduced wear on the blow moulding machine due to the lower weight of the blow moulds
- > Faster and easier blow mould changes



SPECIAL-PURPOSE SOLUTIONS

Due to our reliable discretion and independence, we carry out special developments for many customers, e.g.

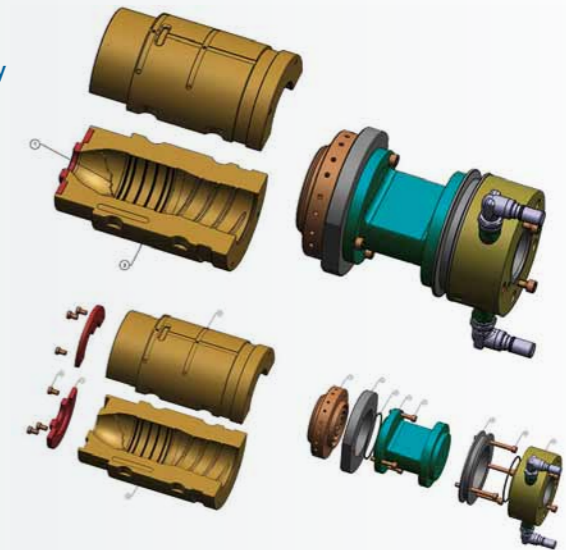
- > Blow moulds with special coatings, e.g. for hotfill
- > Production of large blow moulds up to 30 litres
- > Special blow mould constructions with movable mould parts
- > Blow moulds with inserts for an easy change of the bottle design in just one mould
- > Cross-machine quick change solutions
- > New ventilation concepts



SPARE PARTS FOR BLOW MOULDS

Should it ever happen that one of your blow moulds gets damaged, a look into the supplied exploded assembly drawings is enough to identify the necessary spare parts.

We know how critical continuous bottle production for our customers is. Therefore, standard parts, such as centring devices, are always in stock and individual mould parts are re-manufactured overnight if required.



Whether for soft drinks, beer, oils, juices, milk or other liquids, whether for refillable, non-returnable or hotfill, we can rely on decades of know-how in all areas. In some cases, we have long-term development partnerships with the world's leading bottlers.



FORMAT PARTS

New blow moulds often require new format parts in the blow moulding machine, especially when the preform changes. Numerous format parts and spare parts for blow moulding machines are available from Roeders, including:

- > Stretch rods
- > Stoppers
- > Bottle exit wheels
- > Guide rails
- > Grippers
- > Ejectors
- > Valves
- > Furnace chains
- > Spindle tips

We cooperate with UM Inc., Canada, to provide our customers with a comprehensive range of format and spare parts for blow moulding machines with very short delivery times.

